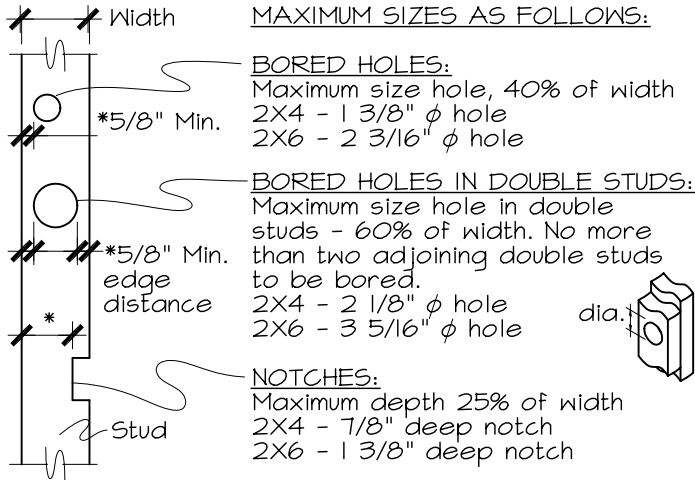


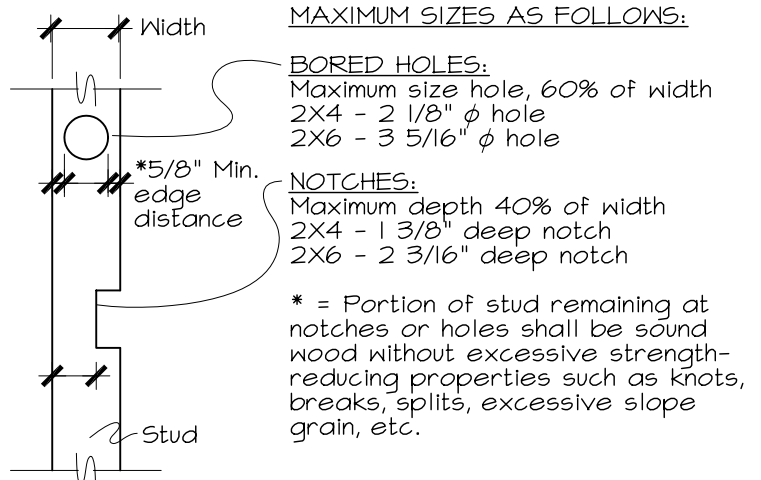
CUTTING, NOTCHING & BORING OF STUDS:

Section 2326.11.9 & 2326.11.10

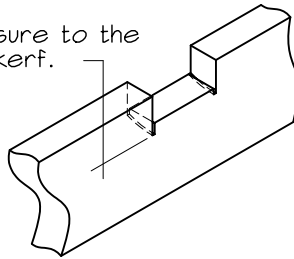
EXTERIOR WALLS AND BEARING PARTITIONS



INTERIOR NONBEARING WALLS

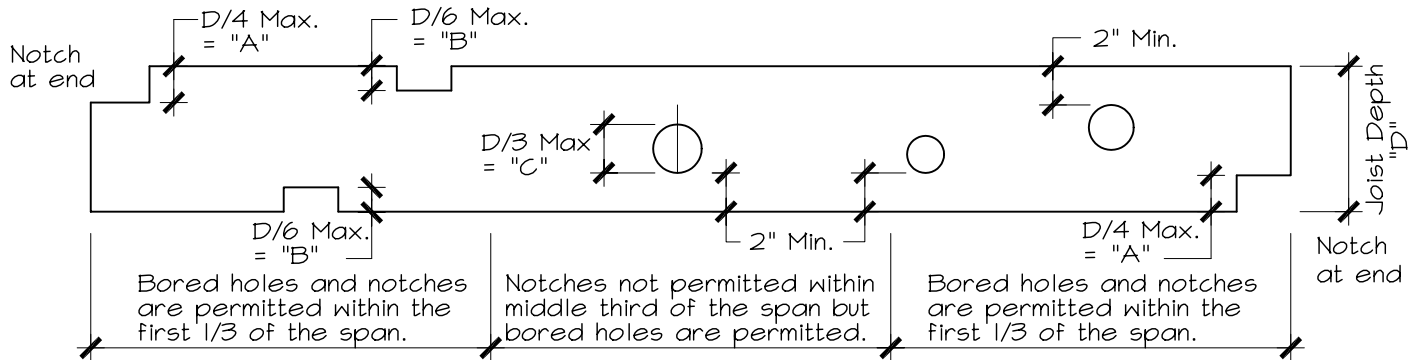


Notch depth is measure to the bottom of the saw kerf.



CUTTING, NOTCHING & BORING OF RAFTERS & JOIST:

Section 2326.12.4



Joist Size	"A" End Notches 1/4 of Depth	"B" Notches 1/6 of Depth	"C" Holes (Dia.) 1/3 of Depth
2X6	1 3/8"	7/8"	1 7/8"
2X8	1 7/8"	1 1/4"	2 3/8"
2X10	2 3/8"	1 1/2"	3"
2X12	2 7/8"	1 7/8"	3 3/4"
2X14	3 3/8"	2 1/4"	4 1/2"

GENERAL NOTES:

- The residential occupancy detail and specifications above are provided to illustrate conventional construction provisions as set forth in the Uniform Building Code Sections noted above. Because of varying conditions, details as shown may not meet the requirements of the Building Code, or other jurisdictions.
- Where excessive boring and notching occur the Building Official may require calculations to prove that no loss of structural strength has occurred.



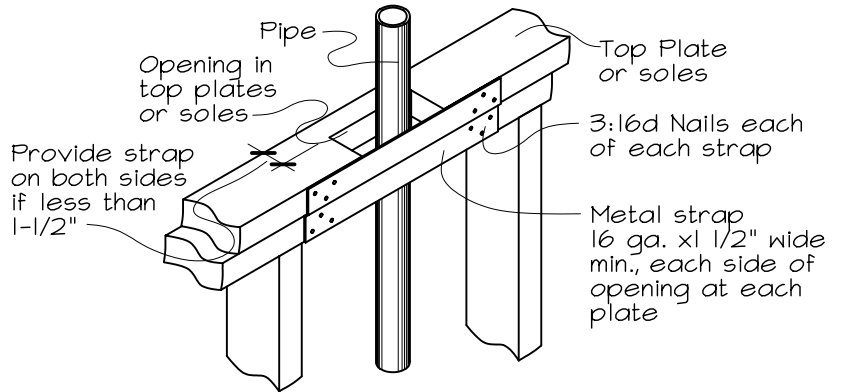
CUTTING, NOTCHING & BORING
HELP FOR THE HOMEOWNER
 CITY OF FILLMORE, BUILDING AND SAFETY

Steve Newman 3/13/03
 Approved By: _____ Date
 Date: 2/16/03 Sheet 1 of 2 C-5

CUTTING OF PLATES: Section 2320.11.7

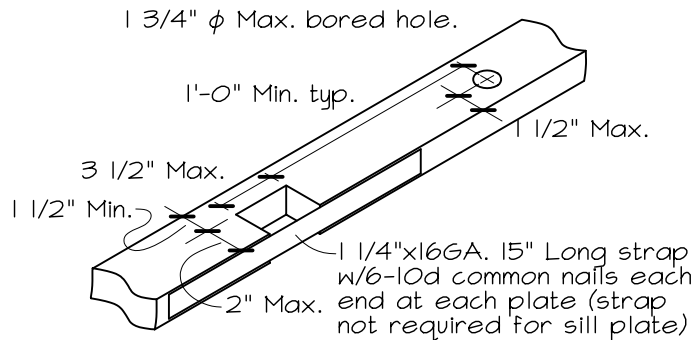
Where plumbing, heating or other pipes are placed in or partly in a partition, necessitating the cutting of the soles or plates, a metal tie not less than 0.058 inch (16 gage galvanized) and 1 1/2 inches wide shall be fastened to each plate across and to each side of the opening with not less than six 16d nails.

For notches in plates in exterior walls or shear walls see below for requirements.



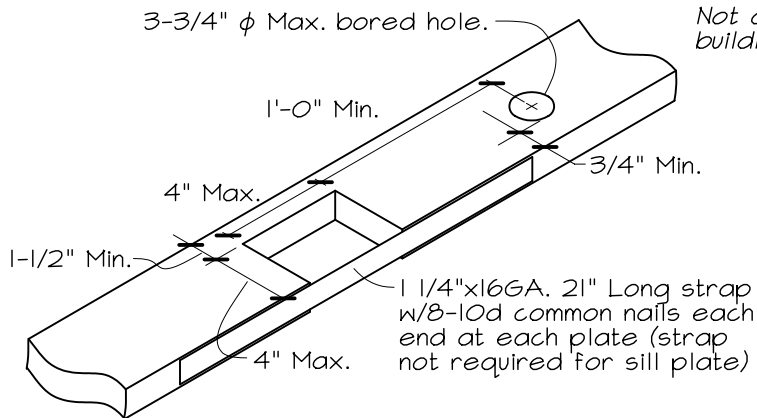
PENETRATIONS OF PLATES OF SHEAR AND EXTERIOR WALLS:

2X4 DOUBLE TOP PLATE, 2X4 or 3X4 SILL PLATE



For notches and bores exceeding these limits consult building official for options engineering plans and calculations from a private engineer maybe required for some conditions.

2X6 DOUBLE TOP PLATE, 2X6 or 3X6 SILL PLATE (Plumbing Wall)



Not applicable to engineered buildings.



CUTTING, NOTCHING & BORING
HELP FOR THE HOMEOWNER
 CITY OF FILLMORE, BUILDING AND SAFETY

Steve Newman 3/13/03
 Approved By: _____ Date
 Date: 2/16/03 Sheet 2 of 2 C-5